

# SAMSUNG

## RAC Installation Guidance Points

Luzon

AR\*\*TXHZAWKN/EU – AR\*\*TXHZAWKX/EU

Cebu

AR\*\*TXFYAWKN/EU – AR\*\*TXFYAWKX/EU

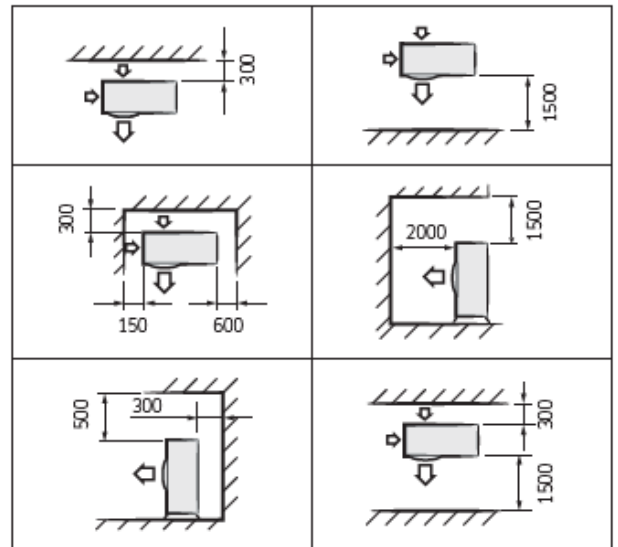
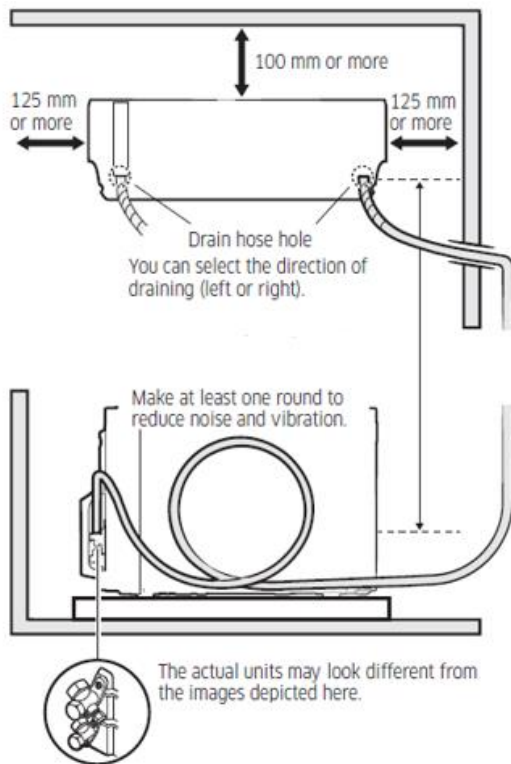
Wind-Free Comfort

AR\*\*TXFCAWKN/EU – AR\*\*TXFCAWKX/EU

Wind-Free Avant

AR\*\*TXEAAWKN/EU – AR\*\*TXEAAWKX/EU

### Minimum clearances (mm)



### Refrigerant Pipe Work & Additional Charge

#### Refrigerant Pipe Work & Additional Charge

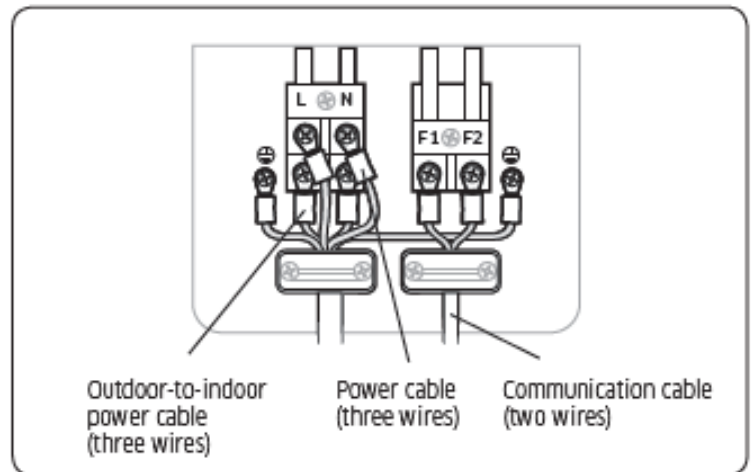
Model	Min (m)	Max (m)	Max Height (m)	L Pipe	G Pipe	Pre Charged (m)	Additional Charge (g/m)
AR09*****	3	15	8	1/4	3/8	5	15
AR12*****				1/4	3/8		
AR18*****	3	30	15	1/4	1/2	5	15
AR24*****				1/4	5/8		

## Wiring & Electrical Power Supply

**Ensure that the electrical installation complies with local legislations.**

The power supply must be protected with the required safety devices

Model	Fuse Amp
AR09*****	13
AR12*****	13
AR18*****	13
AR24*****	15



### Coms Cable

F1 F2 Coms to be run in separate 2 Core 0.75 – 1.5mm<sup>2</sup> SCREENED / SHIELDED Cable.

Screen to be earthed in the outdoor unit only

